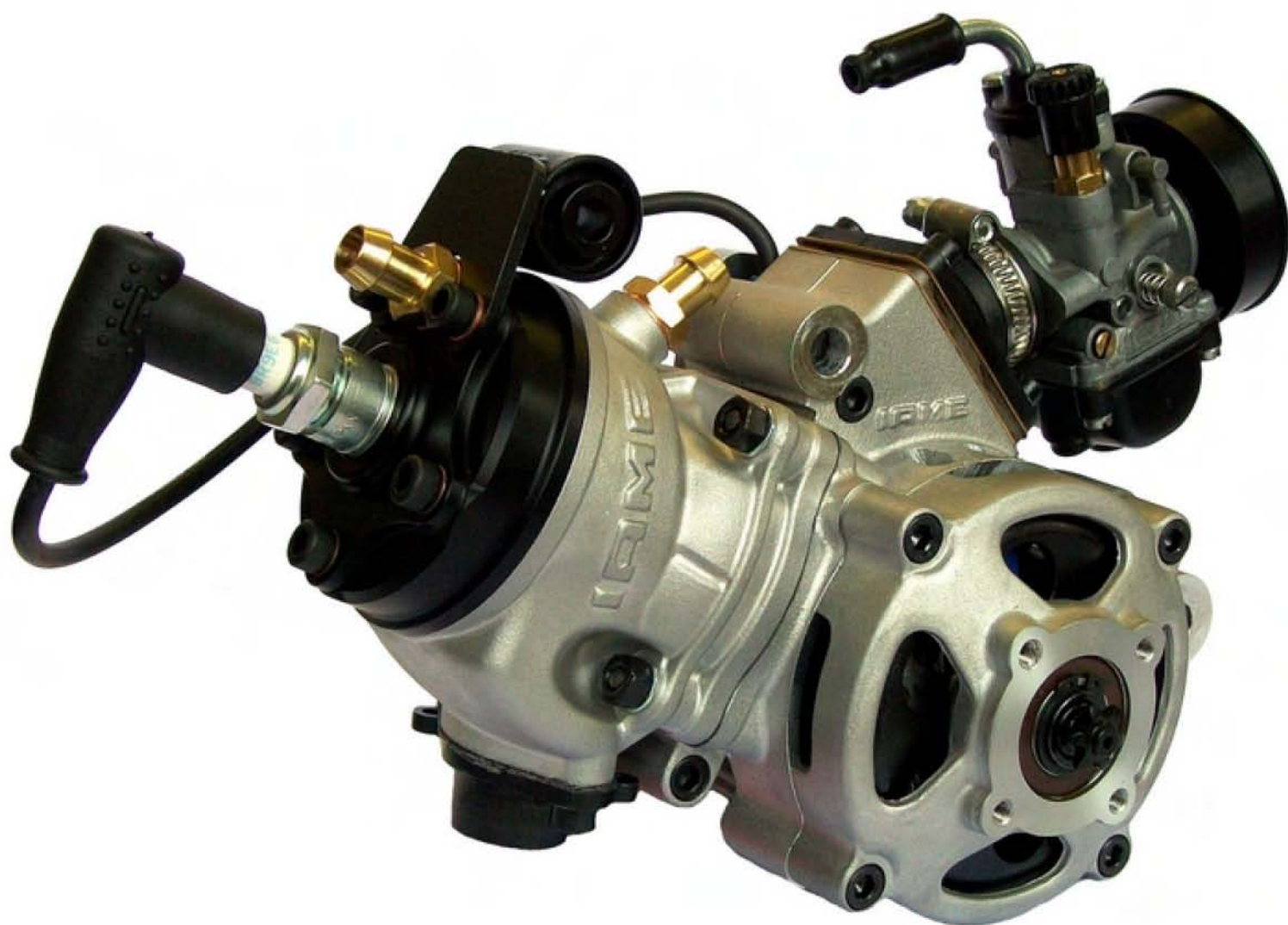


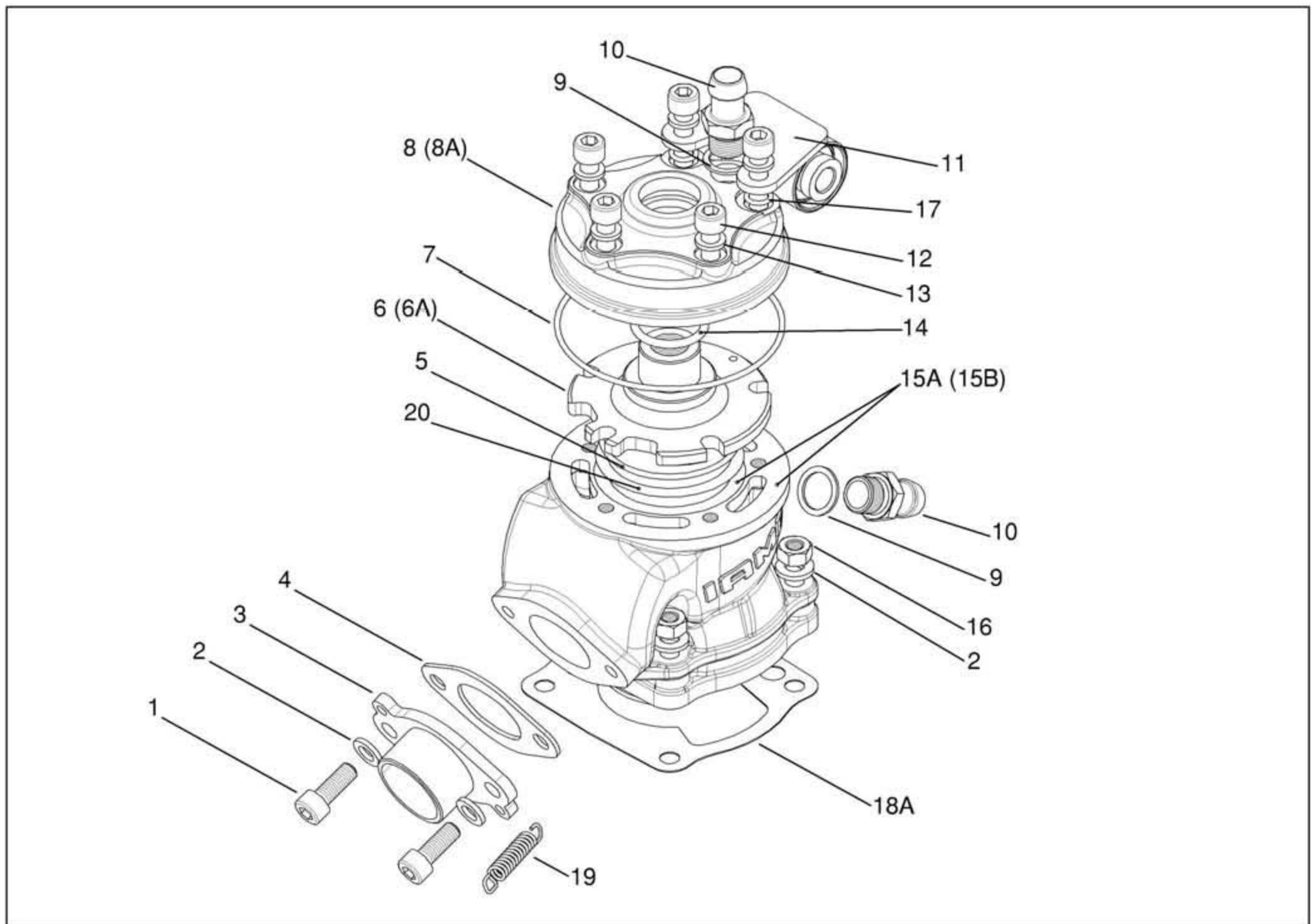
IAME

The heart of kart

MINIMOTO - MINIBIKE 40/50cc



HEAD AND CYLINDER

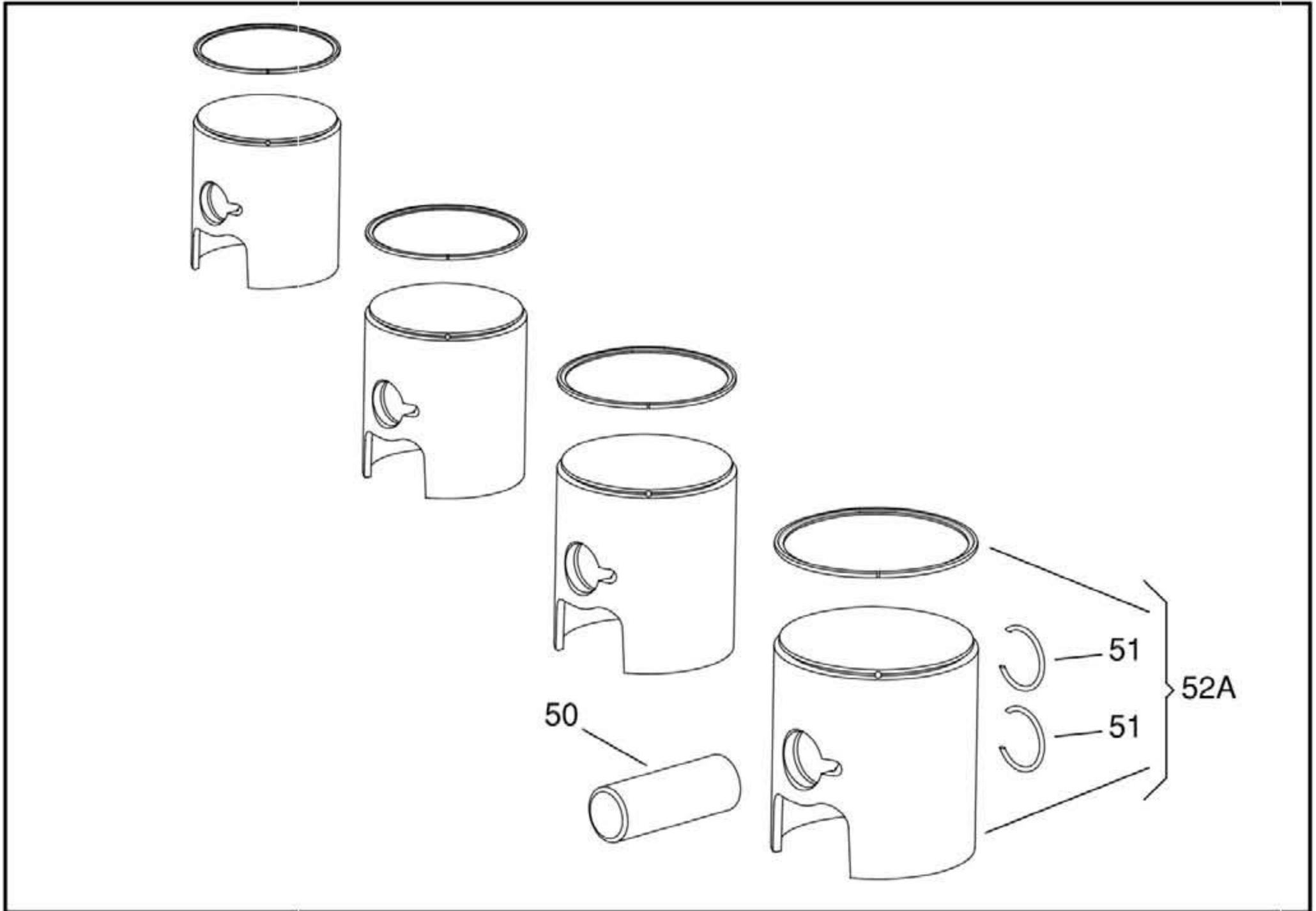


CAT-M001

RICAMBI / SPARES

POS	COD	DESCR
001	00040-K	KIT OF 20 SCREWS M6 X 14
002	00302-K	20 WASHERS KIT M6
003	IMH-02000	EXHAUST FITTING MINIMOTO
004	IMA-20500	EXHAUST GASKET MINIMOTO
006	IMA-40100	HEAD DOME
006A	IMA-40100-40	HEAD DOME MINIMOTO 40cc
007	IMA-42400	O'RING DOME HEAD
008	IMA-41000	HEAD COVER
008A	IMA-41000-R	HEAD COVER 40cc
009	IMA-40800	WASHER X FITTING WATER PIPE
010	IMA-40500	WATER PIPE FITTING
011	IMA-04100	COMPLETE ENGINE SUPP. BRACKET
012	00046-K	KIT 20 SCREWS COVER 6x30
013	00345-K	KIT 20 M6 Cu WASHERS
014	IMA-42200	O'RING INTERNAL HEAD
015A	IMA-01000	CYLINDER MINIMOTO 50cc
015A	IMA-01000-40	CYLINDER MINIMOTO 40cc
016	00351-K	20 HEXAGONAL NUTS KIT M6
017	IMA-42300	O'RING BRACKET ENGINE SUPPORT
018	IMA-20100-0.2	CYLINDER GASKET MINIMOTO 2/10
018	IMA-20100-0.4	CYLINDER GASKET MINIMOTO 4/10
018	IMA-20100-0.5	CYLINDER GASKET MINIMOTO 5/10
019	IMH-55100	RETAINER SPRING EXHAUST HEADER
020	10407	STEEL SHIM 0.10
020	10409	STEEL SHIM 0.15

PISTON

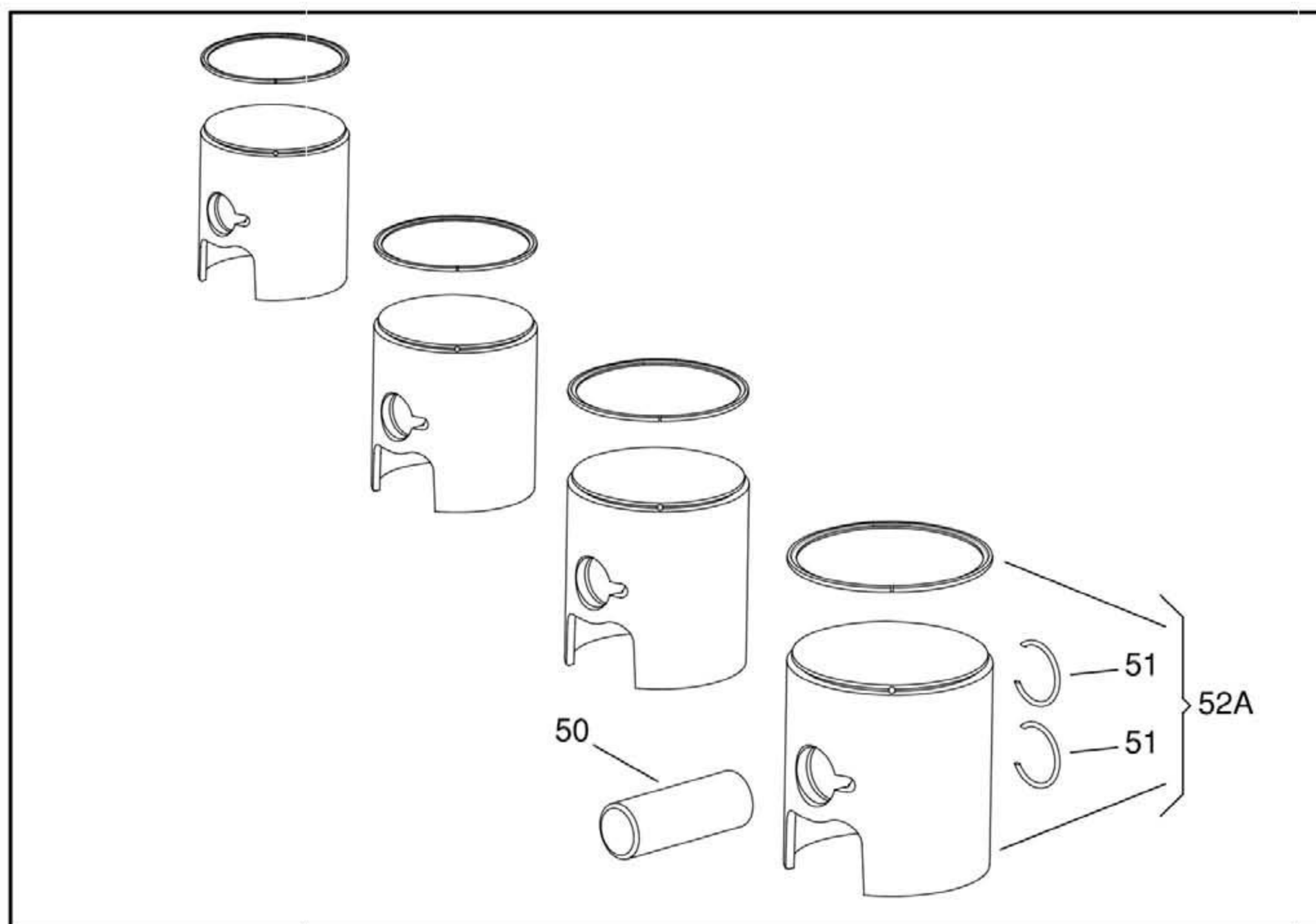


CAT-259

RICAMBI / SPARES

POS	COD	DESCR
-----	-----	-------

PISTON

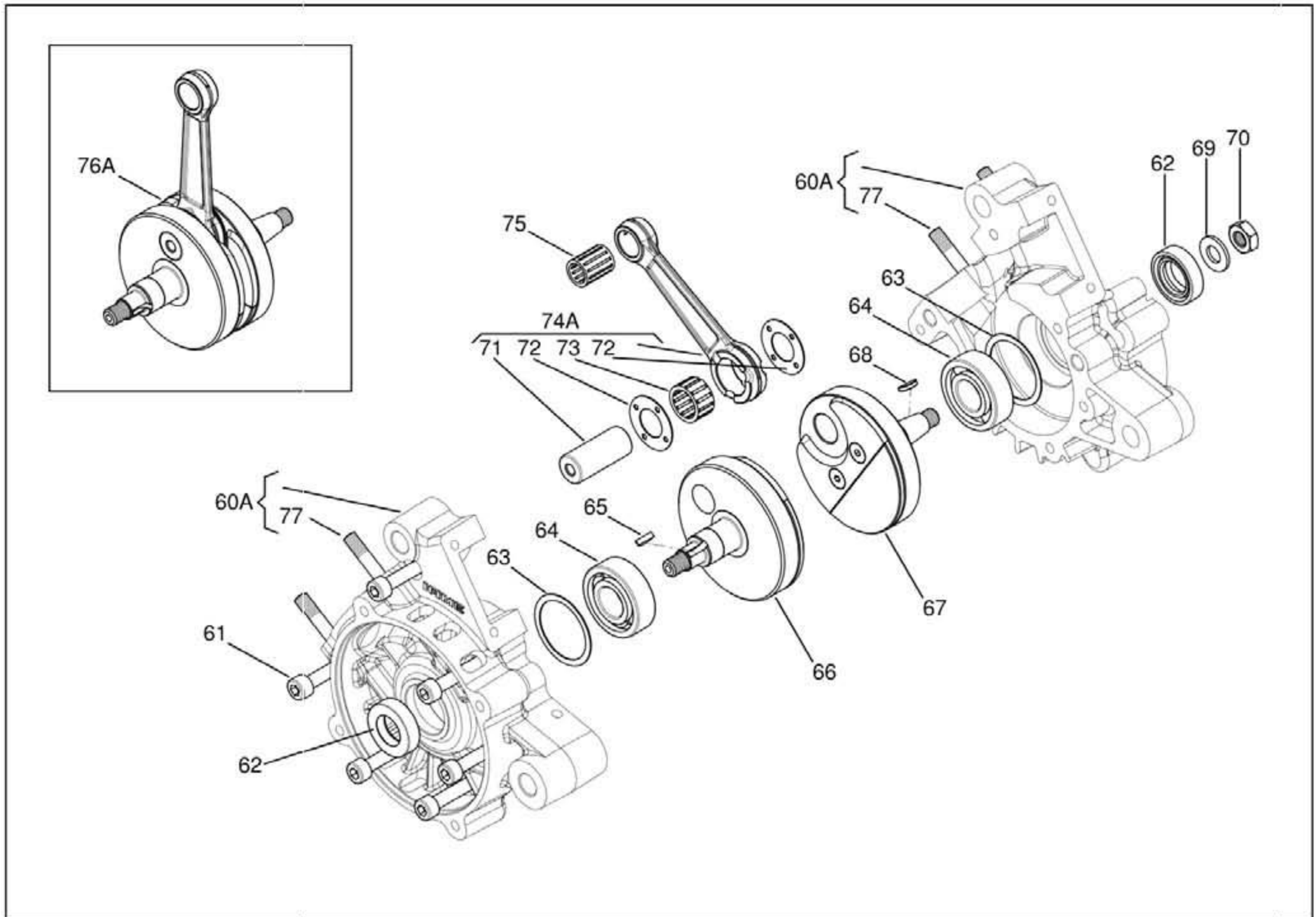


CAT-259

RICAMBI / SPARES

POS	COD	DESCR
050	IMA-20900	PISTON PIN 10x33x 6
051	IMA-21000	CIRCLIP
052A	IMA-20600-39.94CR	PISTON COMPL. 39.94R
052A	IMA-20600-39.94CV	PISTON COMPLETE 39.94V
052A	IMA-20600-39.96CR	PISTON COMPLETE 39.96R
052A	IMA-20600-39.96CV	PISTON COMPLETE 39.96V
052A	IMA-20600-39.98CR	PISTON COMPLETE 39.98R
052A	IMA-20600-39.98CV	PISTON COMPLETE 39.98V
052A	IMA-20600-40.00CV	PISTON COMPLETE 40.00V
052A	IMA-20600-40.02CV	PISTON COMPLETE 40.02V
052A	IMA-20600-40.04CV	PISTON COMPLETE 40.04V
052A	IMA-20600-40.06CV	PISTON COMPLETE 40.06V
052A	IMA-20600-40.08CV	PISTON COMPLETE 40.08V

CRANKCASE & CRANKSHAFT

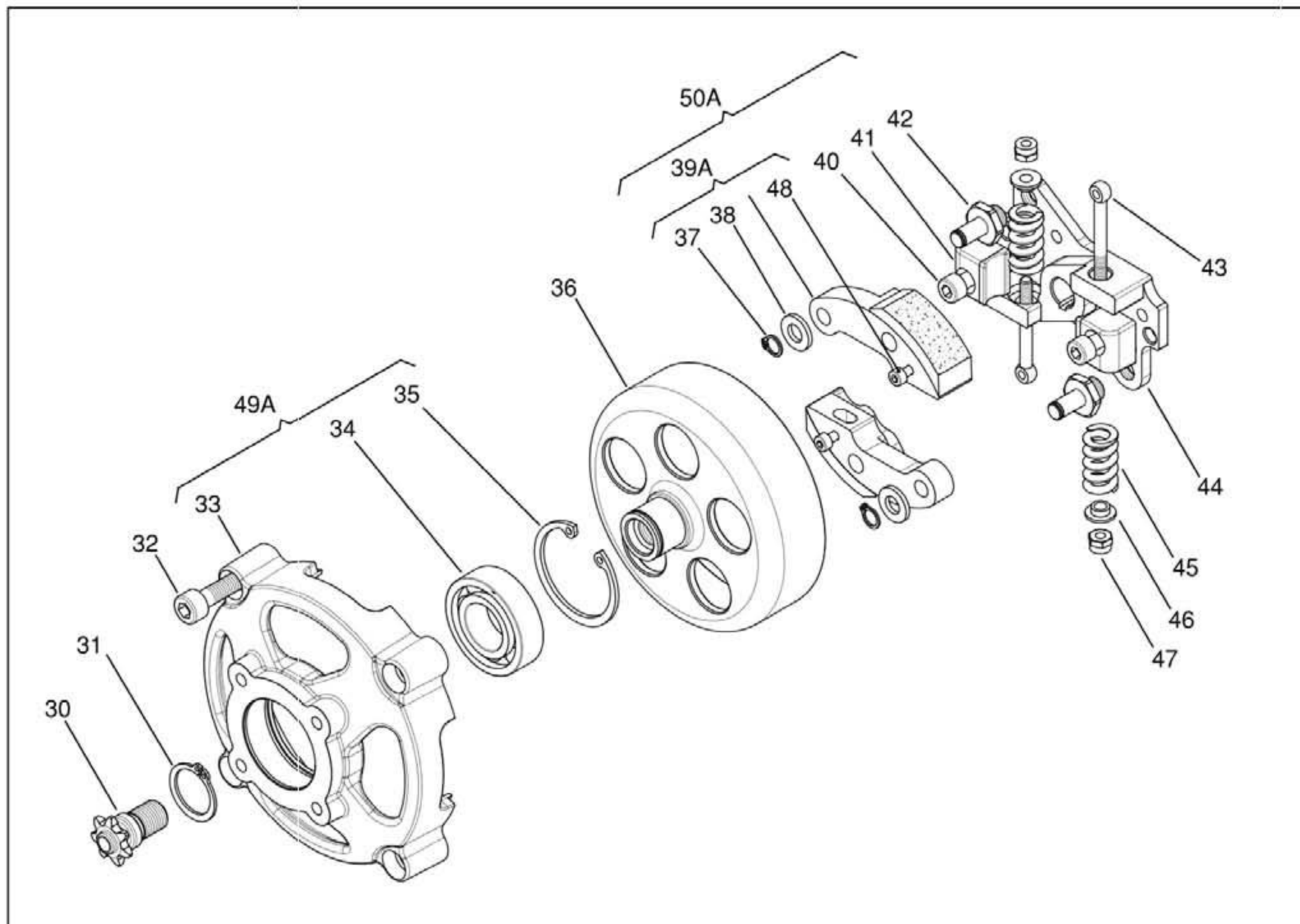


CAT-M002

RICAMBI / SPARES

POS	COD	DESCR
060A	IMB-01000-C	CRANKCASE M50
061	00046-K	KIT 20 SCREWS COVER 6x30
062	IMB-30100	OIL SEAL 15x24x5
063	IMB-20200	WASHER 25x35 thickn. 0.1
063	IMB-20201	WASHER 25x35 thickn. 0.15
064	IMB-20100	BALL BEARING 6202 T1XC4
065	11715	SHAFT END/SPROCKET/MAGNETO KEY
066	IMC-20100	HALFCRANKSH. DRIVE SIDE
067	IMC-30100	HALFCRANKSHAFT IGNITION SIDE
068	11716	SHAFT END/SPROCKET/MAGNETO KEY
069	00303-K	KIT OF 20 HEAD WASHERS M8
070	00359-K	NUT 0 8
071	IMC-40100	CRANKPIN 14/5 x 32.3
072	IMC-70100	WASHER SHOULDER CON-ROD
073	IMC-50200	CON-ROD BIG END CAGE 14x18x10
074A	IMC-50100-C	CONROD COMPLETE L = 76
075	IMC-50300	CON-ROD LITT.END CAGE 10x13x16
076A	IMC-00100	CRANKSHAFT M50
077	A-125355	EXHAUST STUDBOLT M6X40

CLUTCH GROUP

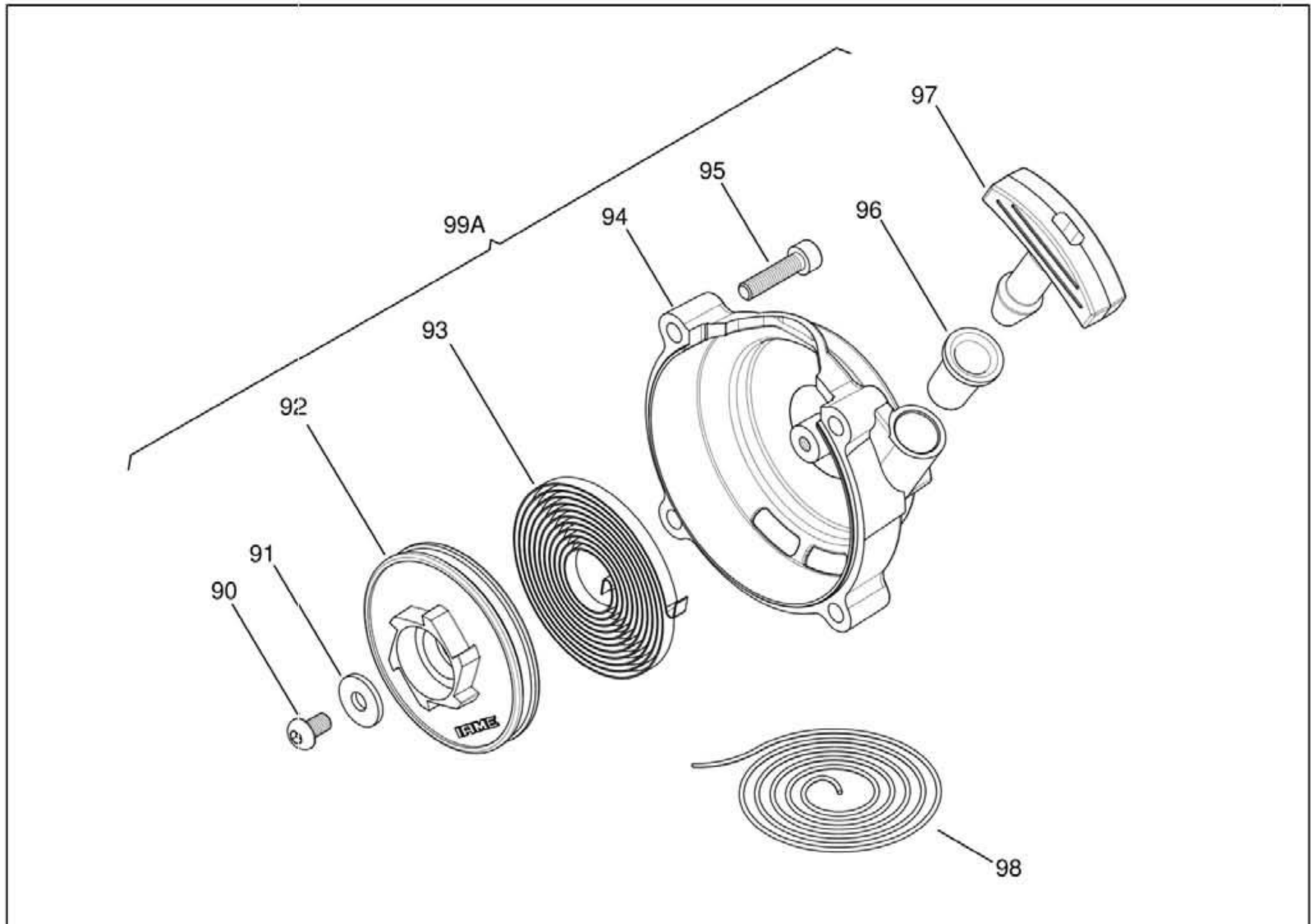


CAT-M003

RICAMBI / SPARES

POS	COD	DESCR
030	IMF-10100	SPROCKET PITCH 6.35 z6
030	IMF-10101	SPROCKET PITCH 6.35 z7
030	IMF-10102	SPROCKET PITCH 6.35 z8
031	00015	SEEGER, DRUM LOCKING
032	00045-K	20 SOCKET HEADSCREWS M6X25 KIT
033	IMF-23000	CLUTCH COVER
034	IMF-20400	BALL-BEARING NSK DDUC3
035	00014	SEEGER d.35
036	IMF-21000	CLUTCH DRUM
037	00010	SEEGER 6mm
038	00301-K	KIT 20 WASHERS M6
039A	IMF-20000-C	COUNTERWEIGHTS KIT
040	00027-K	KIT OF 20 SCREWS TCHH M5x10
041	IMF-21600	SPRING GUIDE CLUTCH
042	IMF-21200	FIXING STUD STUFFER
043	IMF-21700	GUIDE STUD SPRING
044	IMF-20200-C	CLTUCH BODY WITH PINS
045	IMF-20801	COMPRES. SPRING RED STUFFER
046	IMF-21900	CENTERING BUSH SPRING
047	00374-K	NUT PUMP SEAT COVER
048	00025-K	KIT OF 20 SCREWS TCCH M3x16
049A	IMF-23000-C	CUTCH COVER
050A	IMF-02000	IGNITION GROUP COMPLETE

STARTER GROUP

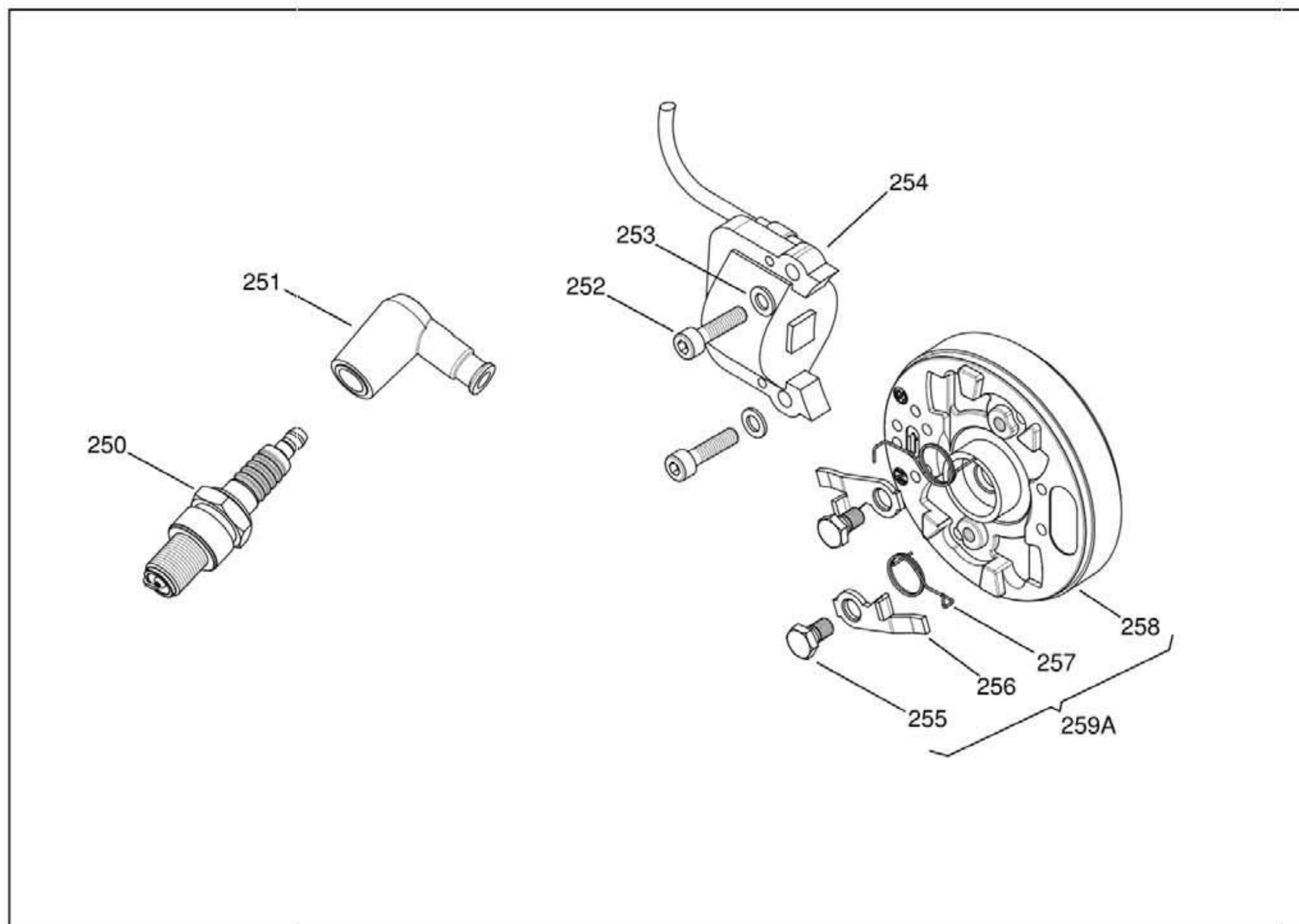


CAT-M004

RICAMBI / SPARES

POS	COD	DESCR
090	00261-K	KIT 20 SCREWS TCH 6x10
091	00310-K	KIT 20 PCS WASHERS M6X18
092	IMI-40100	STARTER PULLEY
093	IMI-40500	VOLUTE SPRING
094	IMB-40400	COVER STARTER
095	00045-K	20 SOCKET HEADSCREWS M6X25 KIT
096	IMI-40300	STARTER THREAD GUIDE
097	IMI-40400	STARTER HANDGRIP
098	IMI-40600-A	PULLER ROPE
099A	IMI-00400	IGNITION COVER WITH STARTER

IGNITION

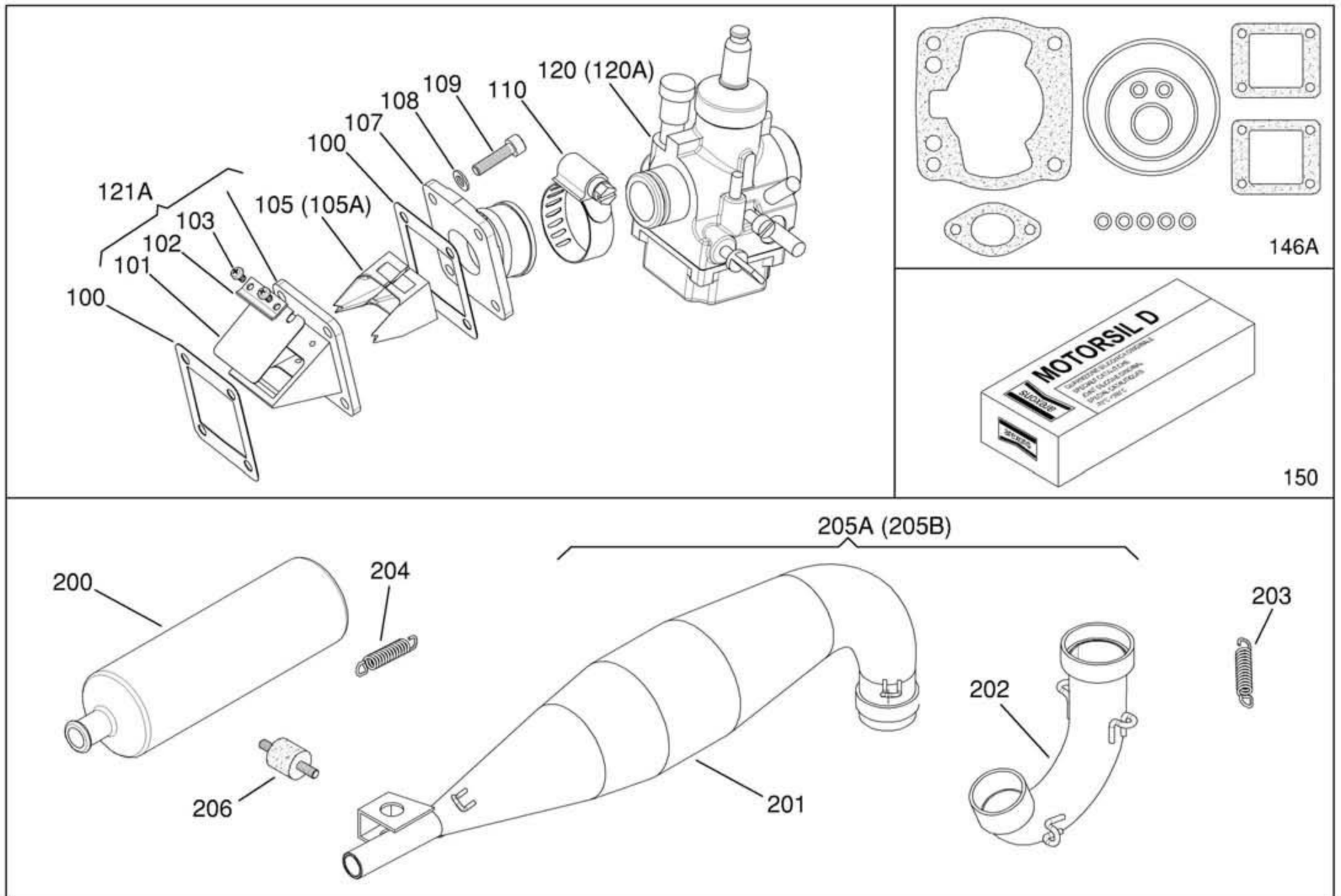


CAT-M006

RICAMBI / SPARES

POS	COD	DESCR
250	10561	SPARK PLUG NGK BR9EG
251	IME-40300	CAP SPARKPLUG
252	00032-K	KIT OF 20 ALLEN SCREWS 5x20
253	00301-K	KIT 20 WASHERS M6
254	IME-03000	SELETTA COIL MINIMOTO
255	IME-02300	FIXING SCREW PAWL
256	IME-02100	PAWL IGNITION
257	IME-02200	RETAINER SPRING PAWL
258	IME-02000	FLYWHEEL MINIMOTO SELETTA
259A	IME-02000-C	IGNITION MINIMOTO

INLET & EXHAUST SYSTEM - GASKETS SET



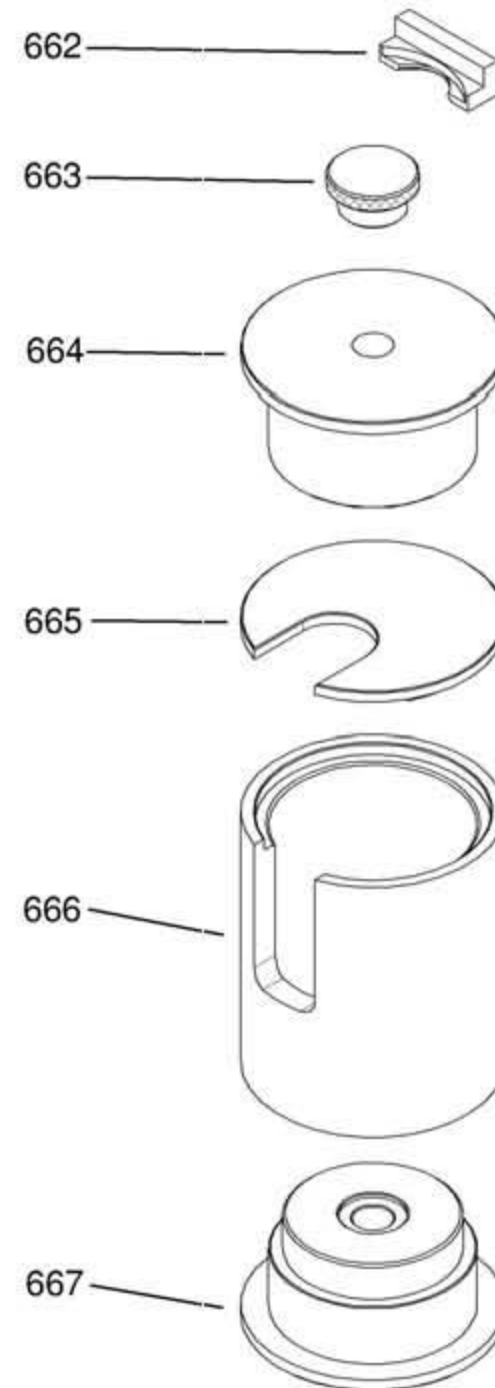
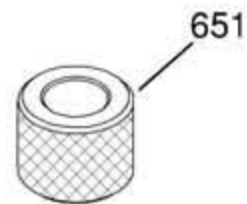
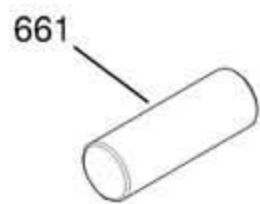
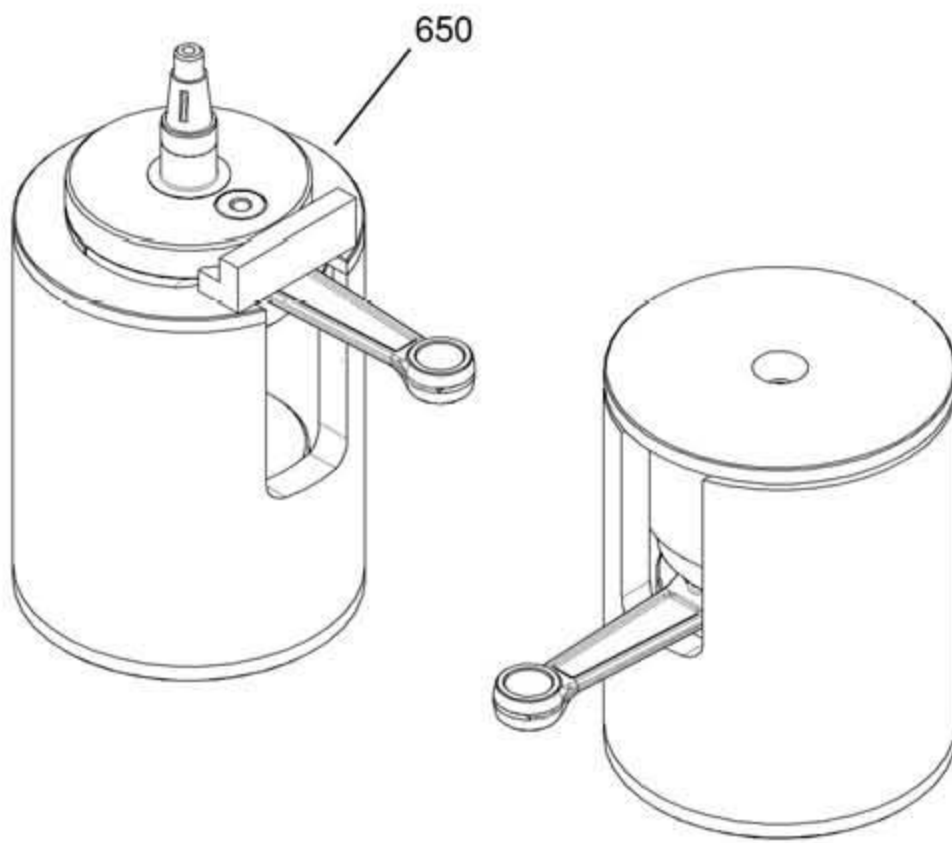
CAT-M005

RICAMBI / SPARES

POS	COD	DESCR
100	IMG-40800	GASKET REED GROUP MINIMOTO
101	IMG-20300-C	KIT OF 2 CARBON REED PETALS I
102	IMG-20200	REEDS CLIP
103	10382	REEDS SCREW
105	IMG-20400-C	COPPIA GUIDA FLUSSO d.21 mm
105A	IMG-20400-40-C	REED BLOCK INSERT d. 15MM
107	IMB-41000	RUBBER MANIFOLD CARBURETTOR
108	00301-K	KIT 20 WASHERS M6
109	00032-K	KIT OF 20 ALLEN SCREWS 5x20
110	IMG-31100	"JUBILEE" CLIP CARBURETTOR
120	IMG-00100	CARBURETTOR PHBG-21/BS
120A	IMG-00101	
121A	IMG-02000	REED VALVE
146A	IMZ-50990	GASKET SET MINIMOTO 50cc
150	00602	LIQUID GASKET AREXON
200	IMH-90000	EXHAUST SILENCER MINIMOTO
203	IMH-55100	RETAINER SPRING EXHAUST HEADER
204	IFH-55100	FLEXIBLE SPRING KF1-2
205A	IMH-04000-40-C	EXHAUST 40 CC W/HEADER
205A	IMH-04000-C	EXHAUST MUFFLER 50cc W/HEADER
206	IMH-55300	MUFFLER DAMPING

Cranksh.Ass./Disass.

ATTREZZO MONTAGGIO E SMONTAGGIO ALBERO
ASSEMBLY AND DISASSEMBLY CRANKSHAFT TOOL
OUTIL MONTAGE ET DÉMONTAGE VILEBREQUIN

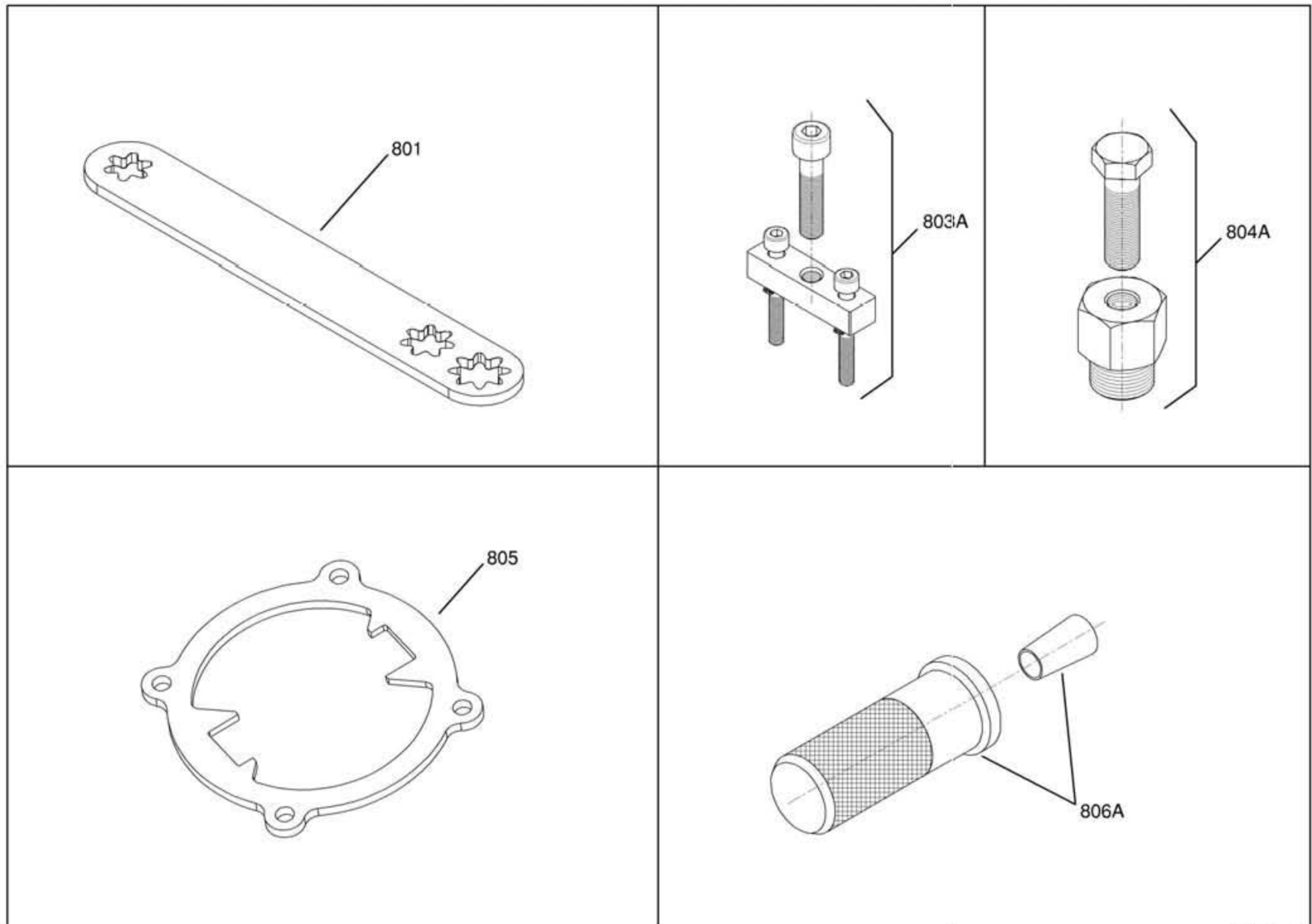


CAT-M007

RICAMBI / SPARES

POS	COD	DESCR
650	ATT-034/5	CRANKSHAFT ASSEM/DISASSEM TOOL
651	ATT-034/5-4	CRANK-PIN BUSH
661	ATT-034/5-8	CRANKPIN PUSHER
662	ATT-034/5-6	CRANKSHAFT INSERT
663	ATT-034/5-5	SUPPORT CAP
664	ATT-034/5-3	SUPPORT CAP
665	ATT-034/5-7	CRANKSHAFT PLATE
666	ATT-034/5-1	CRANKSHAFT DISASS. SUPPORT
667	ATT-034/5-2	BOTTOM SUPPORT TOOL

TOOLING



CAT-M008

RICAMBI / SPARES

POS	COD	DESCR
801	ATT-034/2	SPROCKET LOCKER TOOL
803A	ATT-034/3	CLUTCH PUSHER TOOL
804A	ATT-034/4	ROTOR PULLER
805	ATT-034/1	CLUTCH LOCKER TOOL
806A	ATT-034	OIL SEAL MOUNTING TOOL