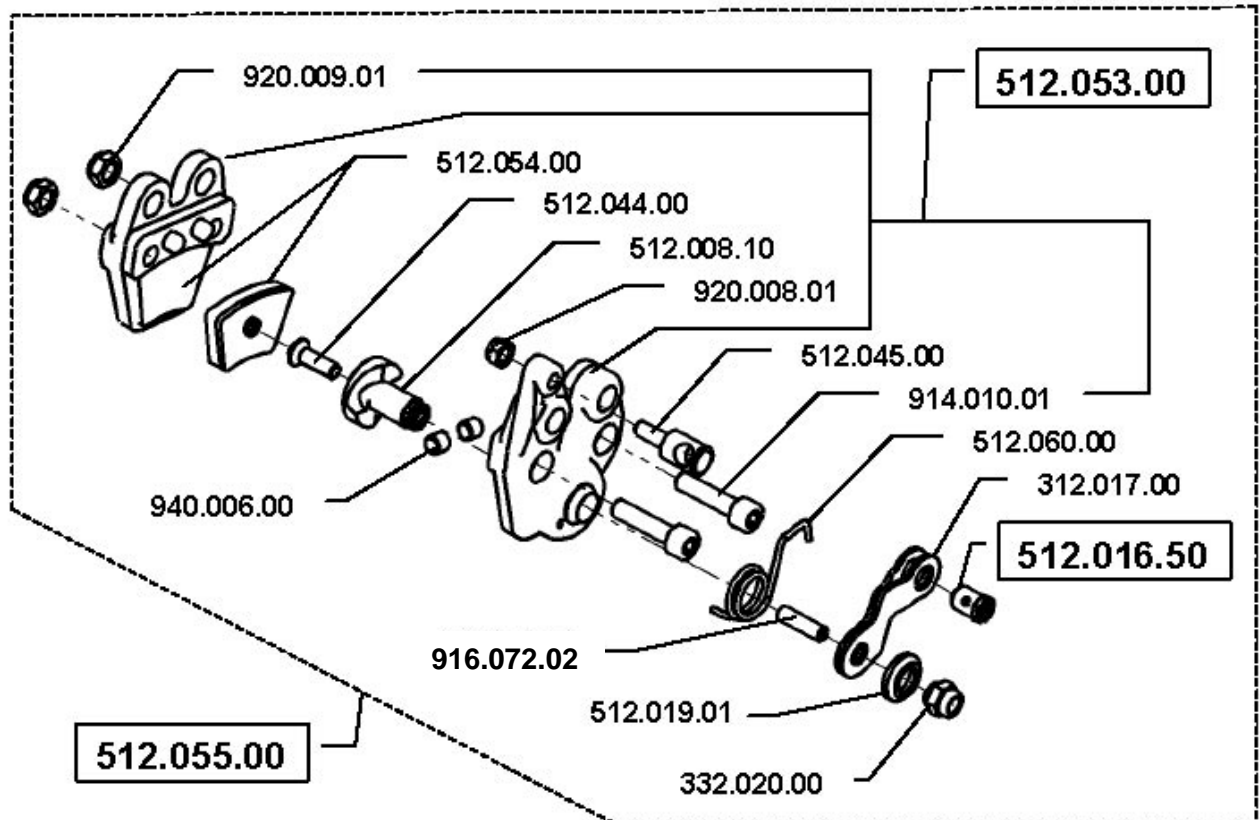
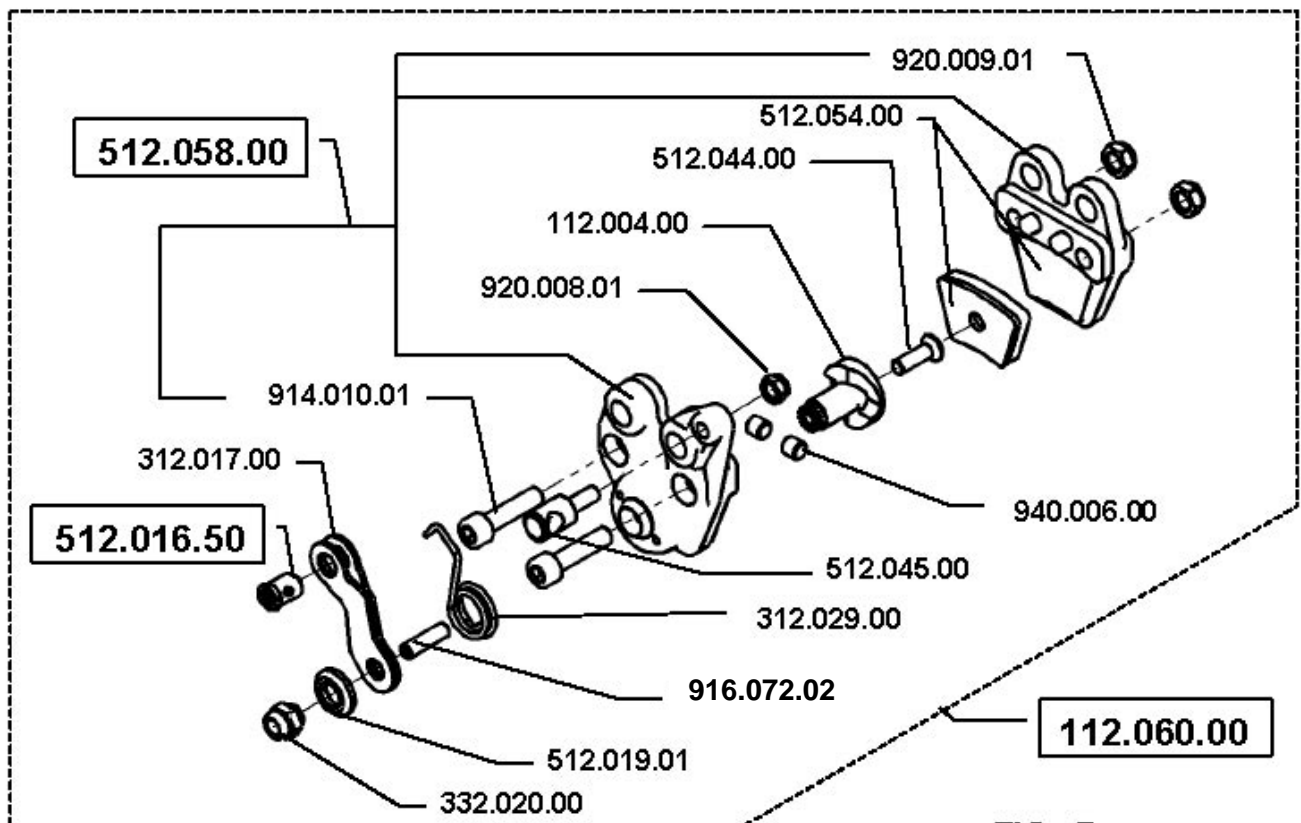


### FRONT BRAKE - COMPLETE



### REAR BRAKE - COMPLETE



**FIG. 7**