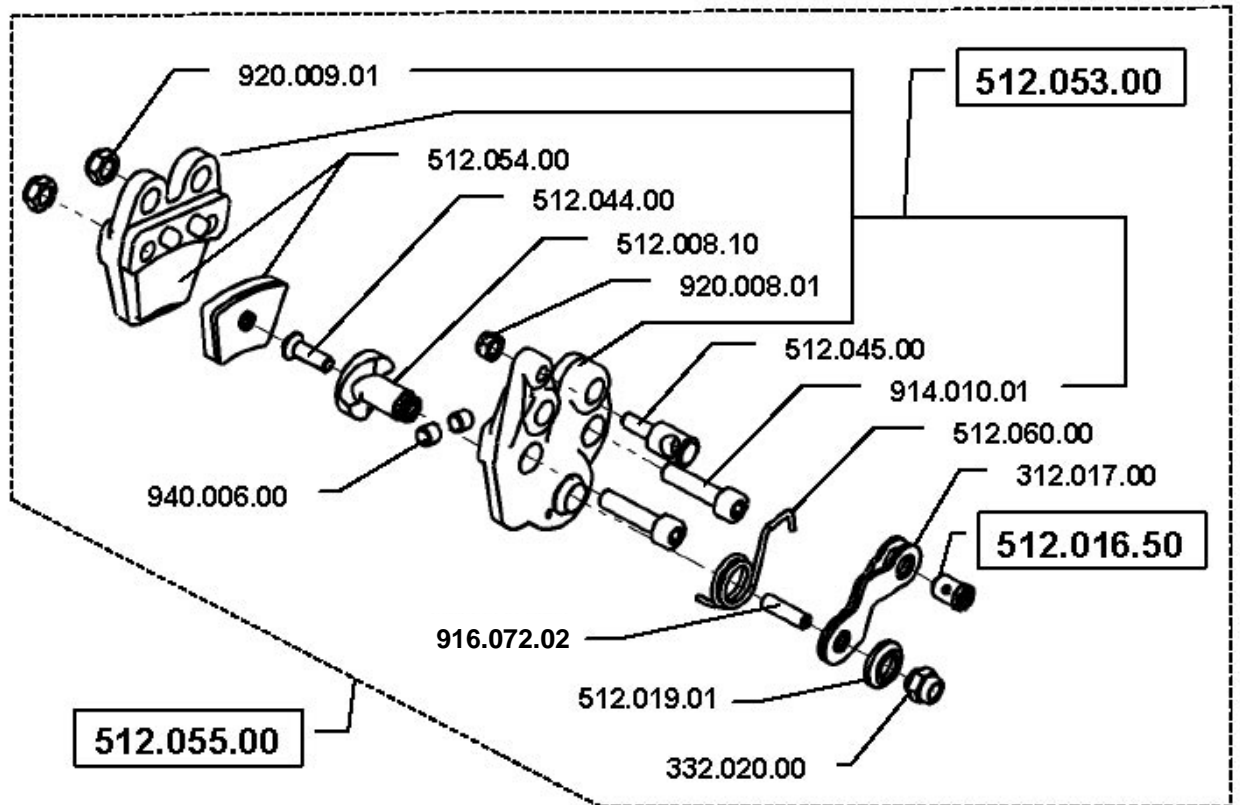


FRONT BRAKE - COMPLETE



REAR BRAKE - COMPLETE

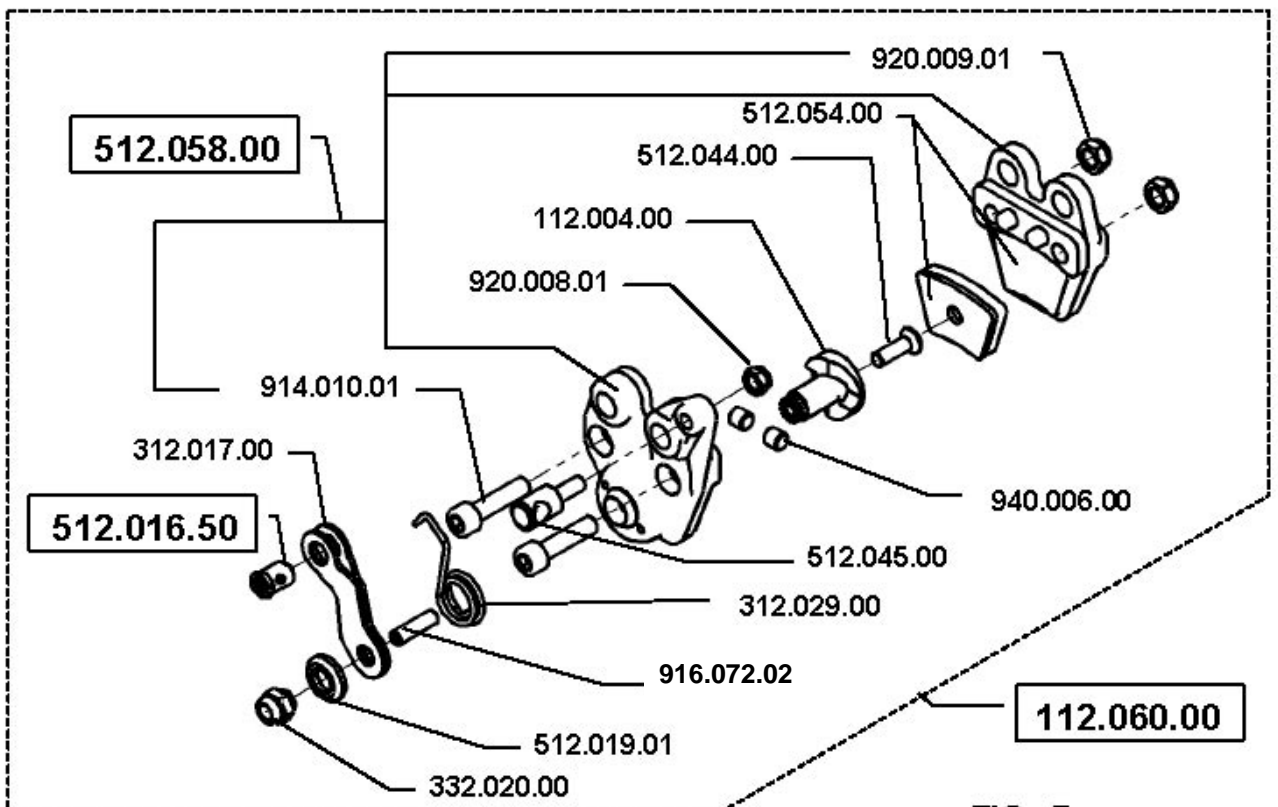


FIG. 7